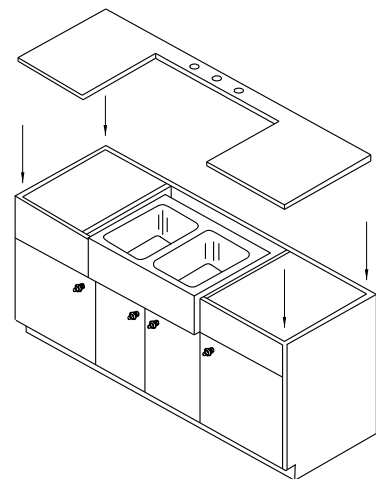
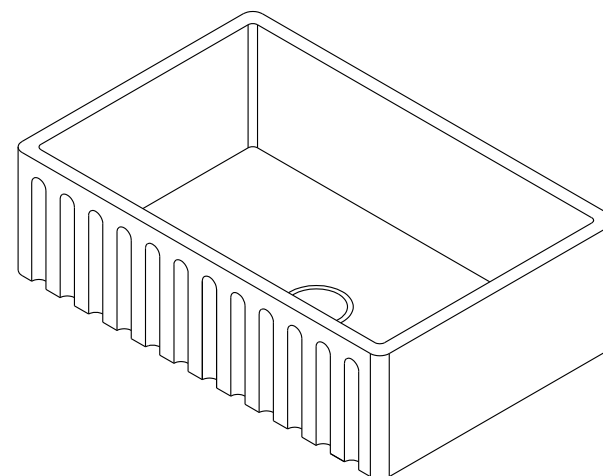
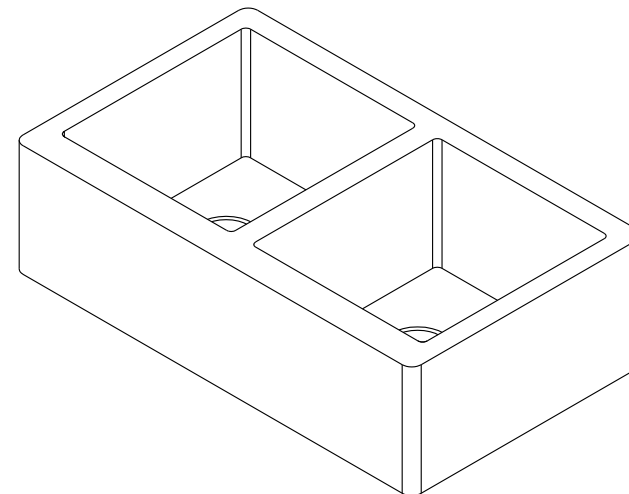


4



4. Install the sink in the opening, check that the sink is level from side to side and front to back, add wood shims if necessary, once sink has been leveled, fill the gaps using silicone caulking.

**GOURMETIER™**  
**KINGSTON CREATION**



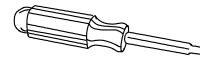
[www.kingstonbrass.com](http://www.kingstonbrass.com)  
TOLL-FREE CUSTOMER SERVICE: 1-877-2-KBRASS  
TECHNICAL SUPPORT E-mail: [service@kingstonbrass.com](mailto:service@kingstonbrass.com)  
12775 Reservoir Street, Chino, CA91710

# GOURMETIER<sup>TM</sup>

## KINGSTON CREATION

### INSTALLATION INSTRUCTIONS For Use FARMHOUSE UNDERMOUNT SINK

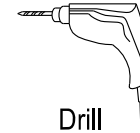
#### Need Tools:



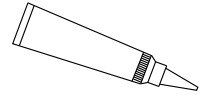
Screwdriver



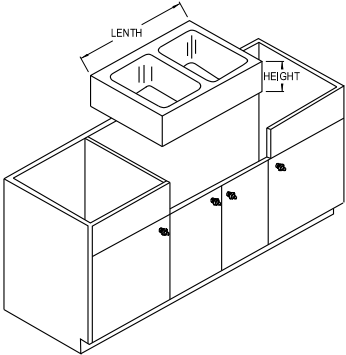
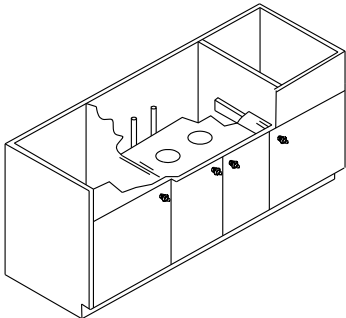
Scroll Saw

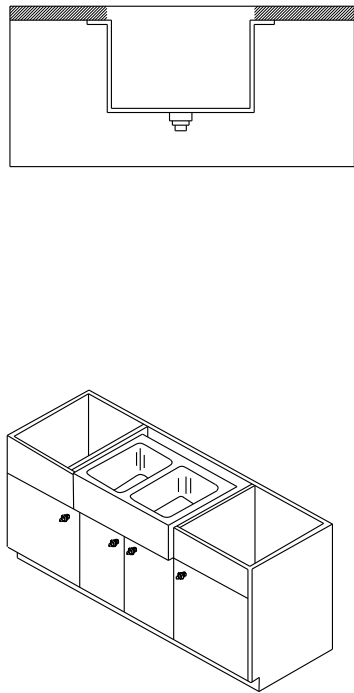


Drill



Silicone Sealant

<p>1</p> 	<p>1. Measure the actual height of the sink.</p>
<p>2</p> 	<p>2. Using this measurement install 2" x 4" supports across the base cabinet, the sink should be able to sit on top of the supports and its top rim should be at a point right below the finished countertop.</p>

<p>3</p> 	<p>3. Add 1/8" to the height of the sink and cut front of the cabinet using that dimension, sink should be supported by the 2"x4" supports not the cabinet front, depending on the configuration of your base cabinet, it may be necessary to remove the doors and replace them with smaller doors.</p>
---	---